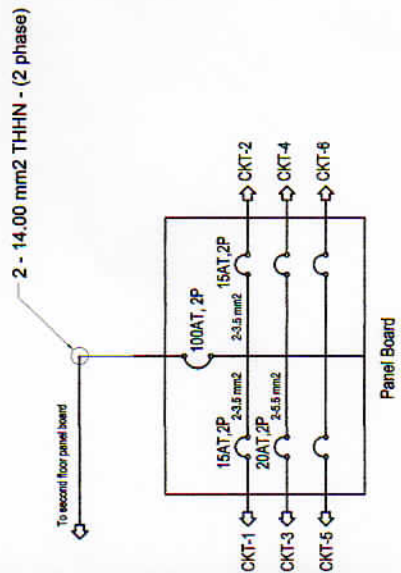


GROUND FLOOR PLAN  
 LIGHTING LAYOUT  
 scale 1 : 100m



**SCHEDULE OF LOADS**

CIRCUIT	LO	CO	POWER	VOLTS	AMPS	COMPUTATION	BREAKER	WIRE
C-1	13		1300	220	5.90	13 (100) = 1300	15	2-no. 3.5mm <sup>2</sup>
C-2			1000	220	4.54	1 (1000) = 3000	15	2-no. 3.5mm <sup>2</sup>
C-3			1500	220	6.81	1 (1500) = 1500	20	2-no. 3.5mm <sup>2</sup>
SPARE			1500	220	6.81	15(100) = 1500	15	2-no. 3.5mm <sup>2</sup>
SPARE			3000	220	13.36	10(300) = 3000	20	2-no. 3.5mm <sup>2</sup>
SPARE			3000	220	13.36	10(300) = 3000	20	2-no. 3.5mm <sup>2</sup>
			14300	220	65.00			

ELECTRICAL DIAGRAM  
 Scale NTS

**SAMPLE COMPUTATIONS:**  
 CIRCUIT 1: SIZE OF WIRE: Circuit Current x F.S. = 1.25 x 4.10 = 5.125 amps. (F.S. = 125%)  
 PROTECTION: Circuit Current x F.S. = 1.50 x 4.10 = 6.15 amps. (F.S. = 150%)

**PANEL LOAD:**  
 (TOTAL CURRENT) It = Total Power/Voltage  
 = 14300/220 = 65.00 amps  
 Panel Protection: Total Current x F.S. x D.F.  
 = 54.54 x 150% x 0.80  
 = 66.45 amps  
 USE: 80.00 amps

Wire Size = Total x F.S. x D.F. (F.S. = 125%) (D.F. = 80%)  
 = 14300 x 1.25 x 0.80 / 220 = 65.00 amps  
 USE: 14.00 mmz THHN - (2 phase)

PREPARED BY:

PROJECT: REHABILITATION OF ADMINISTRATION BUILDING (PHASE I)

APPROVED AS PER PLAN:

LOCATION: SLSU Main Campus, Sogod Southern leyte

PROSE IVY G. YEPES  
 SLSU PRESIDENT

OWNER: SOUTHERN LEYTE STATE UNIVERSITY

